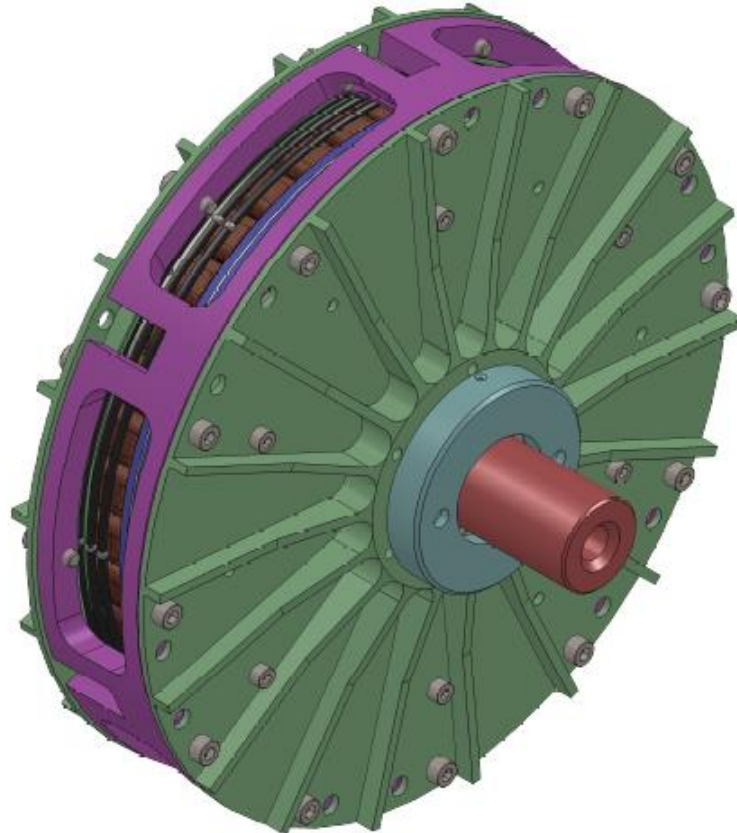


Axial-Flux Double Core Propulsion Motor



DISTINCTIVE FEATURES

- Axial Flux
- Twin-stator sandwich design
- High peak torque-to-weight ratio up to 12 Nm/kg
- Core magnetic circuit
- Steel-band core
- Low cogging due to stator shift
- Impregnated for oil-buried use

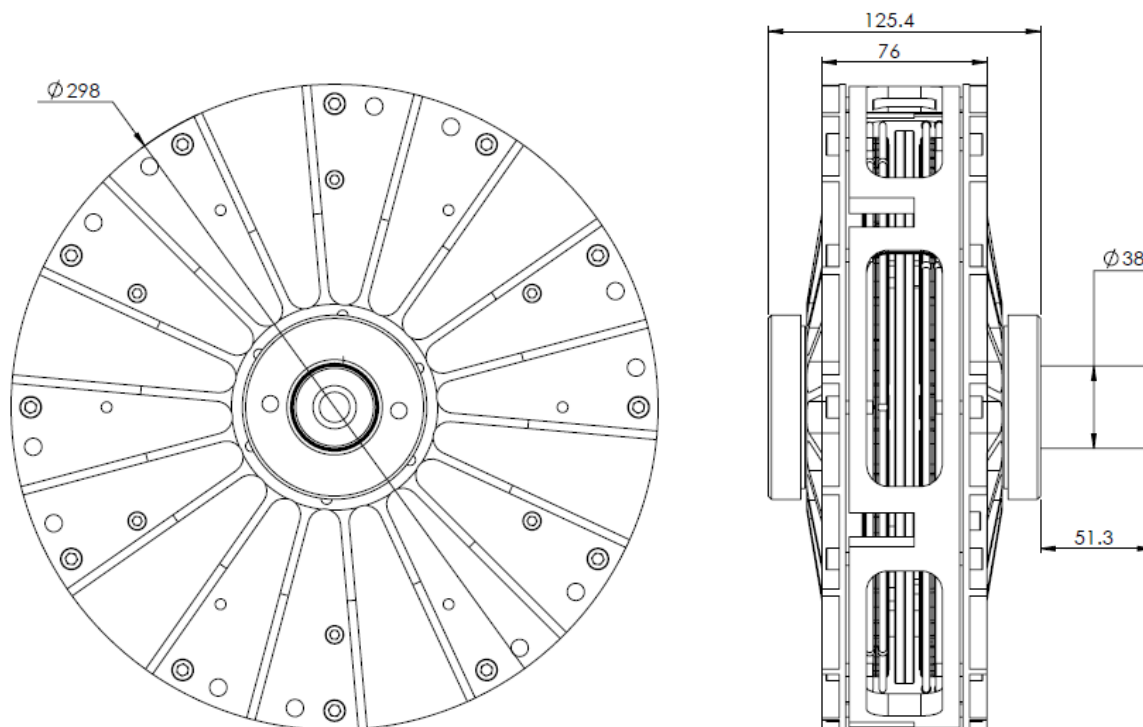
ALBUS Technologies Ltd.

P.O.B. 14269, Ashdod 77041, ISRAEL
www.ALBUS-Tech.com

Tel.: 972.77.5606141
email: Office@albus-tech.com

Fax: 972.77.5606142
AlexS@albus-tech.com

DIMENSIONS & PERFORMANCES



Note:

Above is just one of implementations of the generic design.

We make custom-tailored motors / generators/

ALBUS Technologies Ltd.

P.O.B. 14269, Ashdod 77041, ISRAEL

Tel.: 972.77.5606141

Fax: 972.77.5606142

www.ALBUS-Tech.com

email: Office@albus-tech.com

AlexS@albus-tech.com