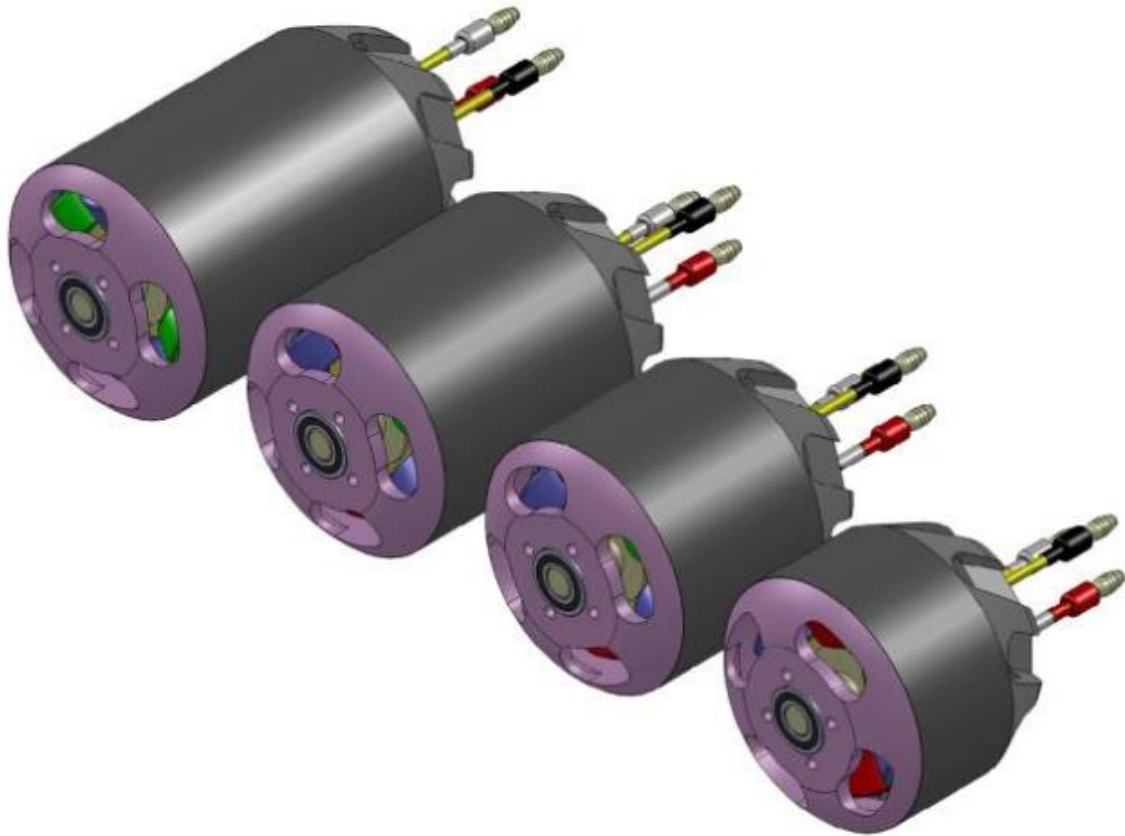


# Robust Outrunner ALPRO-500 Series



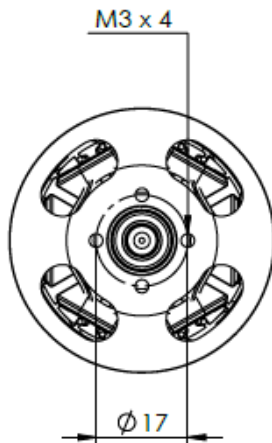
## DISTINCTIVE FEATURES

- MIL-grade for professional use
- Two-side support bearings
- Perfect hand-made winding
- 25% more torque than the same size outrunners
- 100% step-by-step and final inspections
- Enhanced self-ventilation
- Long time overloading capability
- Optional thermos-couple
- Proven by tens of thousands flight hours

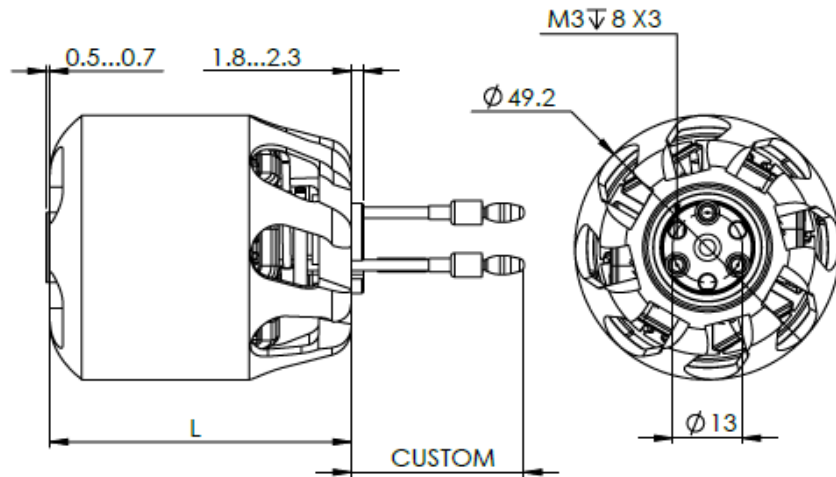
### ALBUS Technologies Ltd.

## DIMENSIONS & PERFORMANCES

Propeller Connection



Stator Connection



Model	L	M [g]	Max N.L speed [rpm]	Max N.L current [A]	Max Cont. Current [A]	Short output power (30 sec) [W]	Cont. output power [W]	Eff [%]
L1	44	154	10,000	0.9	15	600	420	85 - 92
L2	56	248	10,000	1.1	28	1,250	780	85 - 92
L3	68	342	10,000	1.6	40	1,950	1,120	85 - 92
L4	80	436	10,000	2.0	50	3,000	1,400	85 - 92

- All motors were tested @ 28 [V] input voltage
- Kv = 350 [RPM/V]
- All motors were tested with 14" propeller

### ALBUS Technologies Ltd.