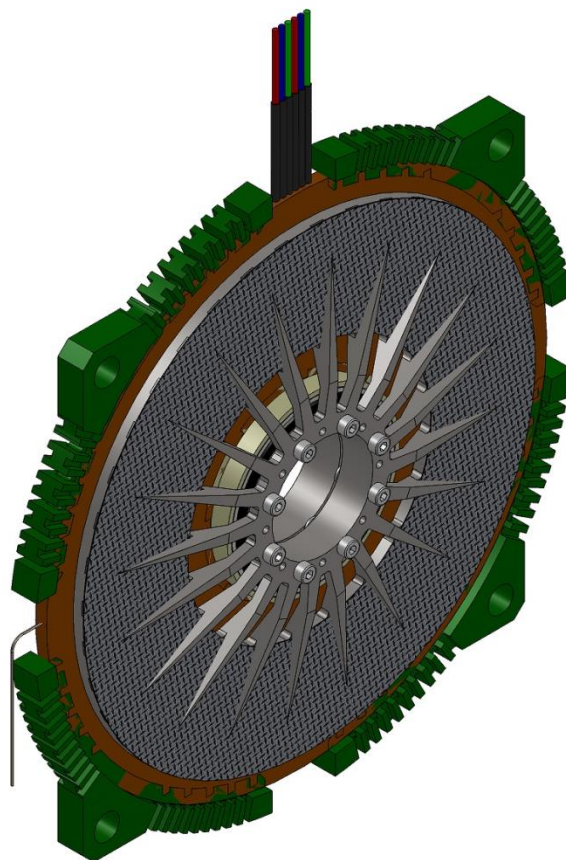


Brushless Coreless Axial-Flux PM Motors / Generators

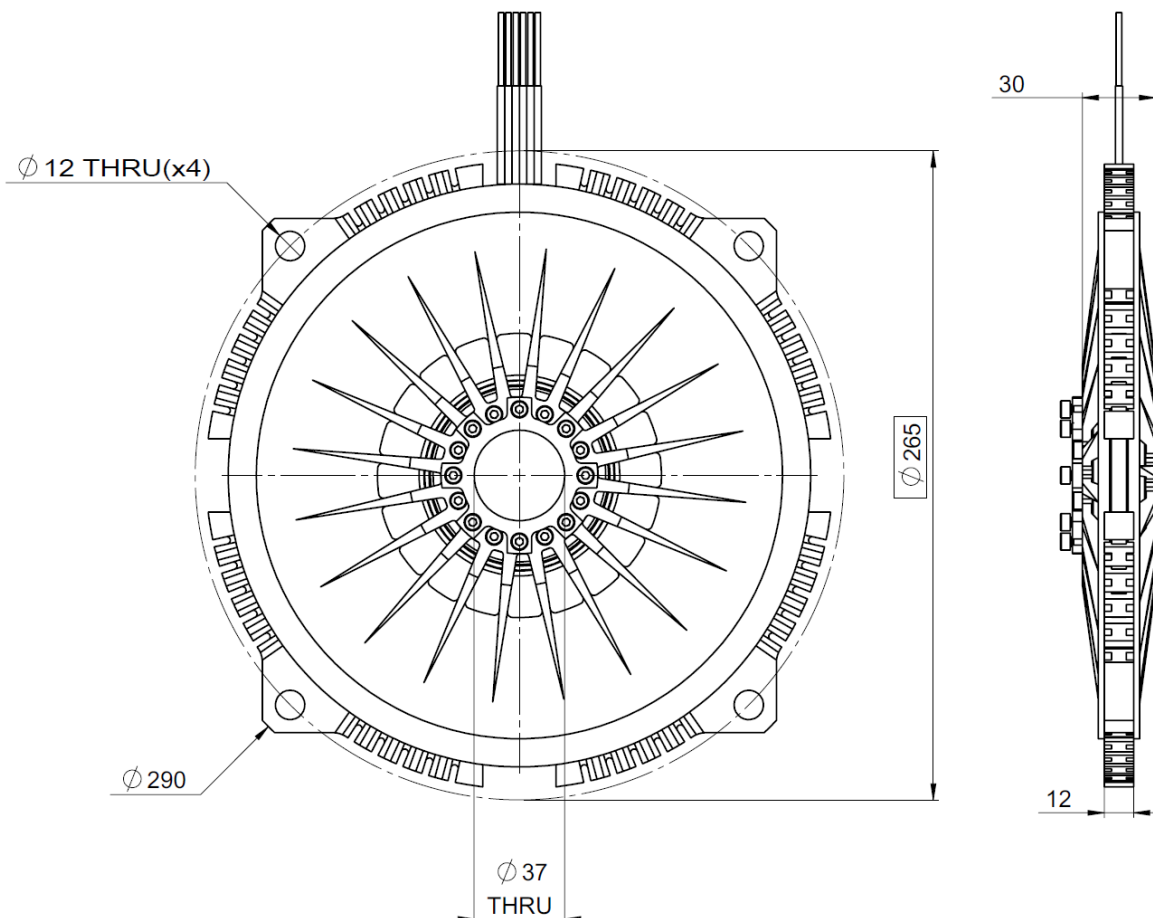


DISTINCTIVE FEATURES

- Axial magnetic field
- Twin-rotor sandwich design
- Power-to-weight up to 8 kW/kg
- Very low inductance
- Self-ventilation
- Coreless magnetic circuit
- Absolute coggingless
- Peak Power-to-weight up to 18 kW/kg
- Self-ventilation
- Liquid cooling option

ALBUS Technologies Ltd.

DIMENSIONS & PERFORMANCES



| Version | Nominal speed [rpm] | Nominal power [kW] | Max. power [kW] | Module weight [kg] |
|---------|---------------------|--------------------|-----------------|--------------------|
| 1 | 6,000 | 4x12.5=50 | 4x20=80 | 3 |
| 2 | 7,000 | 4x15=60 | 4x25=100 | |

Note:

Above is just one of implementations of the generic design.

We make custom-tailored motors / generators/

ALBUS Technologies Ltd.

P.O.B. 14269, Ashdod 77041, ISRAEL
www.ALBUS-Tech.com

Tel.: 972.77.5606141
email: Office@albus-tech.com

Fax: 972.77.5606142
AlexS@albus-tech.com