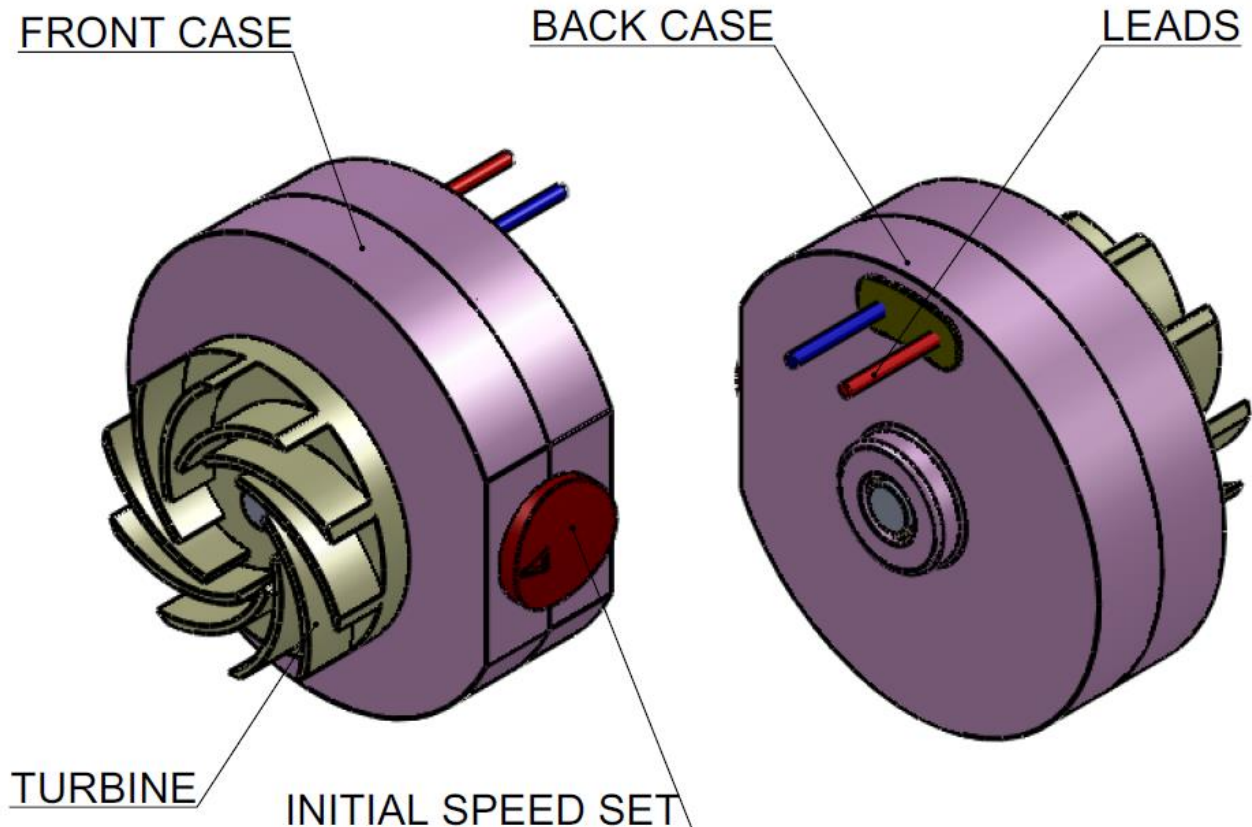


High Speed Miniature Turbo-generators



DISTINCTIVE FEATURES

- Axial Flux
- Twin-stator sandwich design
- High peak torque-to-weight ratio to 12 Nm/kg
- Core magnetic circuit
- Steel-band core
- Low cogging due to stator shift
- Impregnated for oil-buried use

ALBUS Technologies Ltd.

P.O.B. 14269, Ashdod 77041, ISRAEL
www.ALBUS-Tech.com

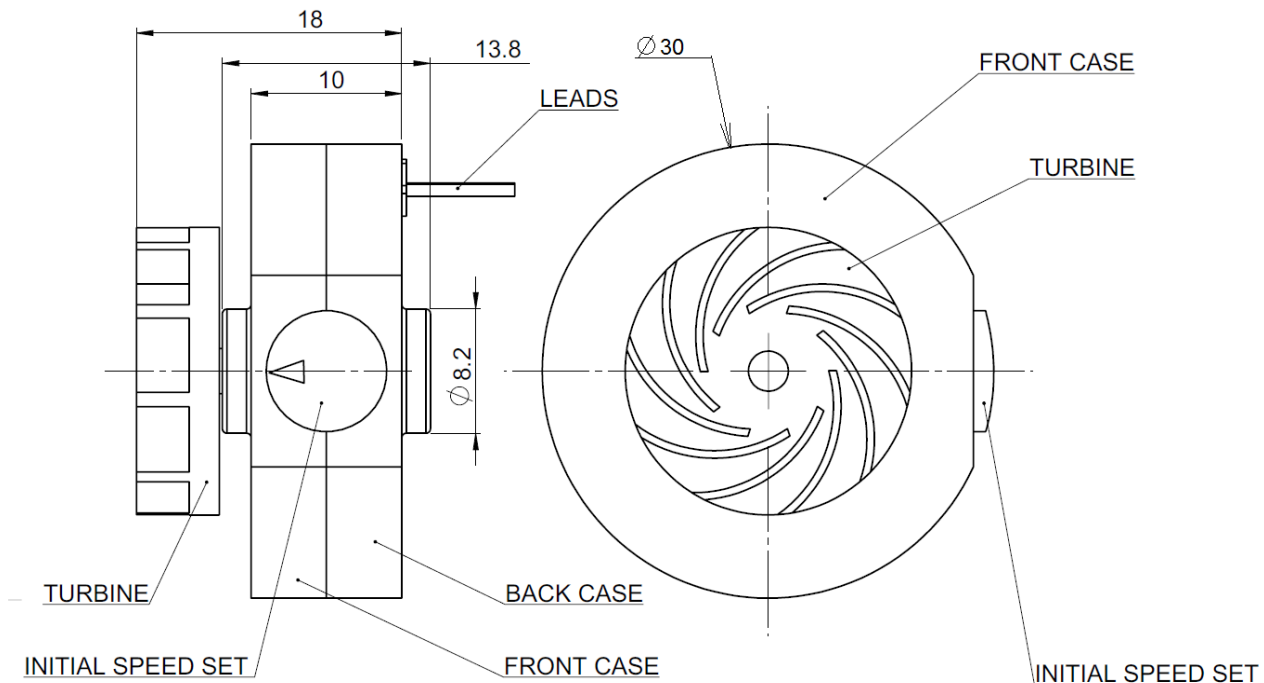
Tel.: 972.77.5606141

email: Office@albus-tech.com

Fax: 972.77.5606142

AlexS@albus-tech.com

DIMENSIONS & PERFORMANCES



Max speed [krpm]	Start air speed [m/s]	Output @ 50 krpm [W]	Max. power @ 150 krpm [W]	Voltage @ 50 krpm [V _{RMS}]	Voltage @ 50 krpm [V _{RMS}]
120	5-70 (adj)	15	25	24	85 - 90

ALBUS Technologies Ltd.

P.O.B. 14269, Ashdod 77041, ISRAEL
www.ALBUS-Tech.com

Tel.: 972.77.5606141
email: Office@albus-tech.com

Fax: 972.77.5606142
AlexS@albus-tech.com