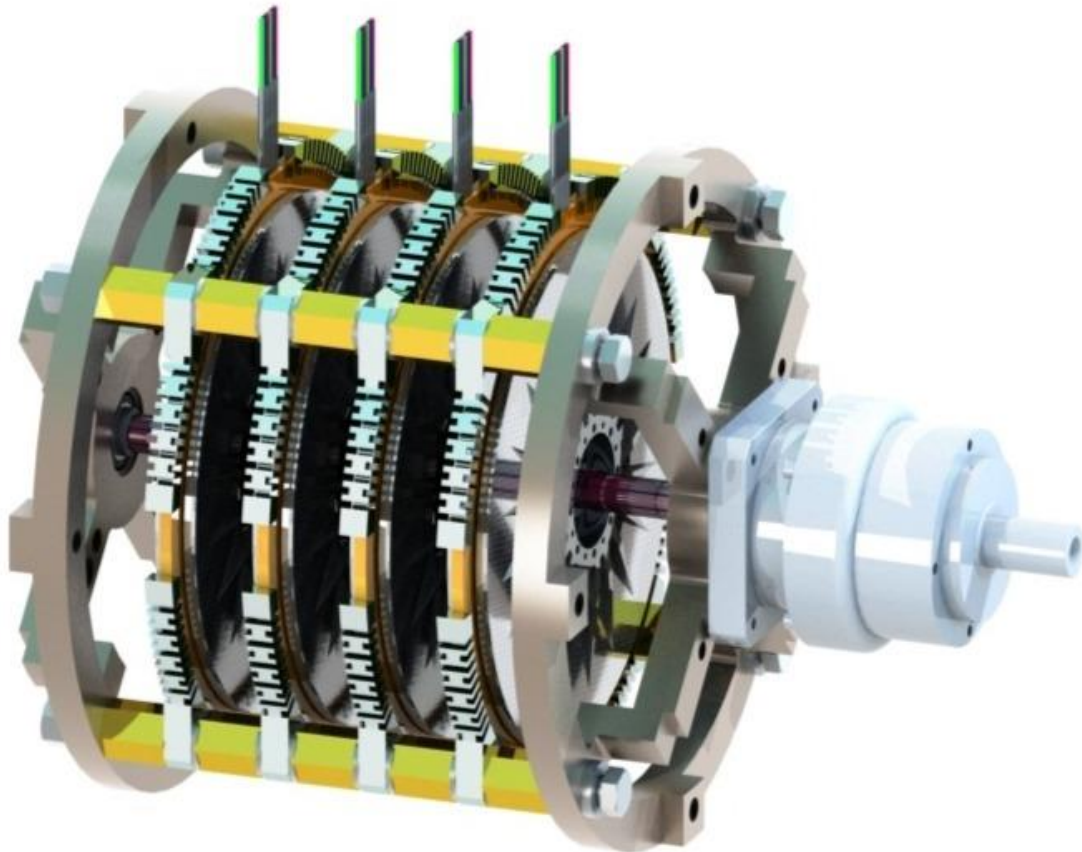


INDEPENDENT MODULAR DRIVE (IMD)



DISTINCTIVE FEATURES

- Based on ALBUS axial flux coreless technology
- Automatic mechanical/electric modules (dis)connection if shortened or get stuck
- Absolute redundancy
- Controllable torque distribution between the modules
- Controllable mechanical/electric modules (dis)connection

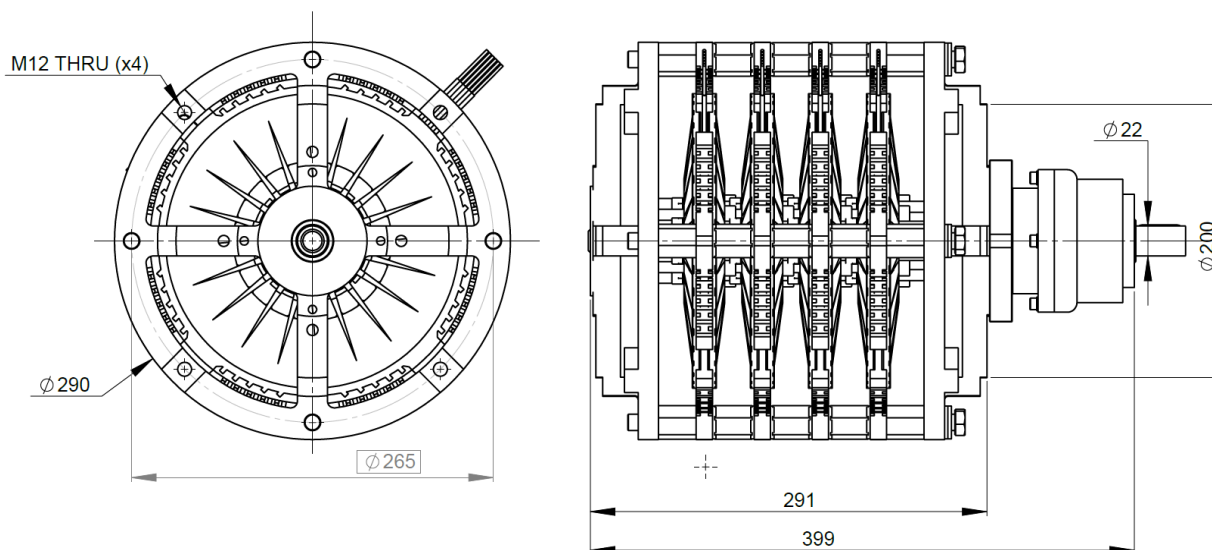
ALBUS Technologies Ltd.

P.O.B. 14269, Ashdod 77041, ISRAEL
www.ALBUS-Tech.com

Tel.: 972.77.5606141
email: Office@albus-tech.com

Fax: 972.77.5606142
AlexS@albus-tech.com

DIMENSIONS & PERFORMANCES



Version	Nominal speed [rpm]	Nominal power [kW]	Max. power [kW]	Module weight [kg]	System weight ^{*1} [kg]
1	6,000	4x12.5=50	4x20=80	3	16
2	7,000	4x15=60	4x25=100		

Note:

- *1 – for dedicated speed reducer 1:3
- Above specification is just for one of implementations of the generic design.
- We make custom-tailored drives

ALBUS Technologies Ltd.

P.O.B. 14269, Ashdod 77041, ISRAEL
www.ALBUS-Tech.com

Tel.: 972.77.5606141
email: Office@albus-tech.com

Fax: 972.77.5606142
AlexS@albus-tech.com